

IDS-7204HTHI-M1/S TURBO HD DVR

Key Feature

- H.265 Pro+/H.265 Pro/H.265 video compression
- HDTV/AVHD/CVI/CVBS/IP video input
- Audio via coaxial cable
- Up to 8-ch IP camera inputs (up to 8 MP)
- Max. 800 m for 1080p and 1200 m for 720p HDTV signal transmission
- Up to 10 TB capacity per HDD



Compression and Recording

- H.265 Pro+ can be enabled to improve encoding efficiency and reduce data storage costs
- Full channel recording at up to 8 MP resolution

Storage and Playback

- Smart search for efficient playback

Smart Function

- Support multiple VCA (Video Content Analytics) events for both analog and smart IP cameras
- Support line crossing detection and intrusion detection of all channels, and 2-ch sudden scene change detection

Network & Ethernet Access

- Hik-Connect & DDNS (Dynamic Domain Name System) for easy network management
- Output bandwidth limit configurable



Specification

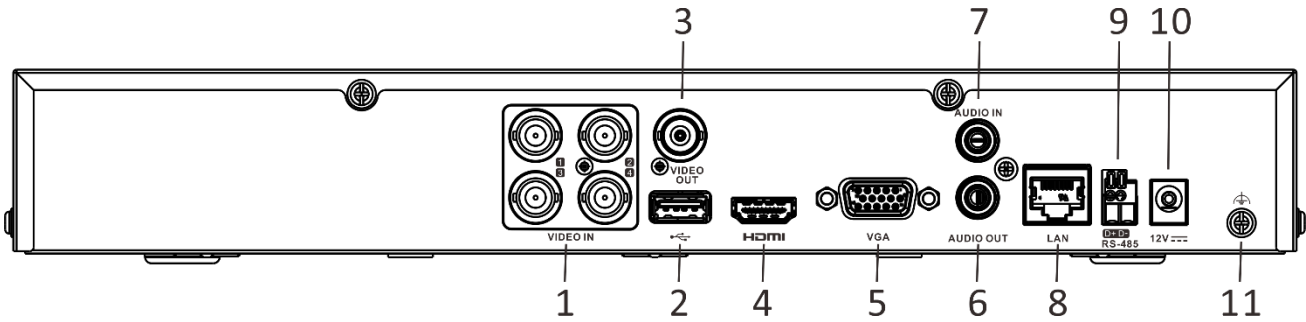
| | |
|---|--|
| Model | iDS-7204HTHI-M1/S |
| Motion Detection 2.0¹ | |
| Human/Vehicle Analysis | Deep learning-based motion detection 2.0 is enabled by default for all analog channels, it can classify human and vehicle, and extremely reduce false alarms caused by objects like leaves and lights; Quick search by object or event type is supported; |
| Perimeter Protection¹ | |
| Line Crossing Detection/ Intrusion Detection | 4-ch |
| Recording | |
| Video compression | H.265 Pro+/H.265 Pro/H.265/H.264+/H.264 |
| Encoding resolution | 8 MP/5 MP/3K/4 MP/3 MP/1080p/720p/WD1/4CIF/VGA/CIF |
| Frame rate | Main stream: 8 MP@15 fps/8 MP@12 fps/3K@20 fps/5 MP@20 fps/5 MP@12 fps/3 MP@18 fps 4 MP/1080p/720p/WD1/4CIF/VGA/CIF@25 fps (P)/30 fps (N) |
| | Sub-stream: WD1/4CIF/CIF@25 fps (P)/30 fps (N) |
| Video bit rate | 32 Kbps to 16 Mbps |
| Dual stream | Support |
| Stream type | Video, Video & Audio |
| Audio compression | G.711u |
| Audio bit rate | 64 Kbps |
| Video and Audio | |
| IP video input | 4-ch (up to 8-ch) |
| | Up to 8 MP resolution |
| | Support H.265+/H.265/H.264+/H.264 IP cameras |
| Analog video input | 4-ch |
| | BNC interface (1.0 Vp-p, 75 Ω), supporting coaxitron connection |
| HDTVI input | 8 MP@15 fps, 8 MP@12.5 fps, 3K@20 fps, 5 MP@20 fps, 5 MP@12 fps, 4 MP@30 fps, 4 MP@25 fps, 3 MP@18 fps, 1080p@30 fps, 1080p@25 fps, 720p@60 fps, 720p@50 fps, 720p@30 fps, 720p@25 fps |
| AHD input | 5 MP@20 fps, 4 MP@25 fps, 4 MP@30 fps, 1080p@25 fps, 1080p@30 fps, 720p@25 fps, 720p@30 fps |
| HDCVI input | 4 MP@25 fps, 4 MP@30 fps, 1080p@25 fps, 1080p@30 fps, 720p@25 fps, 720p@30 fps |
| CVBS input | PAL/NTSC |
| CVBS output | 1-ch, BNC (1.0 Vp-p, 75 Ω), resolution: PAL: 704 × 576, NTSC: 704 × 480 |
| VGA output | 1-ch, 1920 × 1080/60Hz, 1280 × 1024/60Hz, 1280 × 720/60Hz |
| HDMI output | 1-ch, 4K (3840 × 2160)/30Hz, 2K (2560 × 1440)/60Hz, 1920 × 1080/60Hz, 1280 × 1024/60Hz, 1280 × 720/60Hz |
| Video output mode | HDMI/VGA independent output |
| Audio input² | 1-ch, RCA (2.0 Vp-p, 1 KΩ) |

| | |
|---------------------------------|---|
| | 4-ch via coaxial cable |
| Audio output | 1-ch, RCA (Linear, 1 K Ω) |
| Two-way audio | 1-ch, RCA (2.0 Vp-p, 1 K Ω) (using the first audio input) |
| Synchronous playback | 4-ch |
| Network | |
| Total bandwidth | 96 Mbps |
| Remote connection | 32 |
| Network protocol | TCP/IP, PPPoE, DHCP, Hik-Connect, DNS, DDNS, NTP, SADP, NFS, iSCSI, UPnP™, HTTPS, ONVIF |
| Network interface | 1, RJ45 10M/100M/1000M self-adaptive Ethernet interface |
| Wi-Fi | Connectable to Wi-Fi network by Wi-Fi dongle through USB interface |
| Auxiliary interface | |
| SATA | 1 SATA interface |
| Capacity | Up to 10 TB capacity for each disk |
| Serial interface | RS-485 (half-duplex) |
| USB interface | Front panel: 1 × USB 2.0 Rear panel: 1 × USB 3.0 |
| Alarm in/out² | N/A (optional to support) |
| General | |
| Power supply | 12 VDC, 2 A |
| Consumption | ≤ 10 W (without HDD) |
| Working temperature | -10 °C to +55 °C (+14 °F to +131 °F) |
| Working humidity | 10% to 90% |
| Dimension (W × D × H) | 315 × 242 × 45 mm (12.4 × 9.5 × 1.8 inch) |
| Weight | ≤ 1.8 kg (without HDD, 4.0 lb.) |

Note:

- 1: Motion detection 2.0 and perimeter protection cannot be enabled at the same time. Enable one function will make the other one unavailable.
- 2: The number of audio inputs or alarm in/out can be optional. The tag on the package will describe audio input and alarm in/out parameters. For example, “4A+8/4ALM” means your device has 4 audio inputs, 8 alarm inputs and 4 alarm outputs. If your device only has 1 audio input, the tag may not describe it.

Physical Interface



| No. | Description | No. | Description |
|-----|----------------------------|-----|-------------------------|
| 1 | Video and Coaxial Audio In | 7 | AUDIO IN, RCA Connector |
| 2 | USB Interface | 8 | LAN Network Interface |
| 3 | VIDEO OUT | 9 | RS-485 Serial Interface |
| 4 | HDMI Interface | 10 | 12 VDC Power Input |
| 5 | VGA Interface | 11 | GND |
| 6 | AUDIO OUT, RCA Connector | | |

Available Model

iDS-7204HTHI-M1/S

Distributed by



HIKVISION®

Headquarters

No.555 Qianmo Road, Binjiang District,
Hangzhou 310051, China
T +86-571-8807-5998
overseasbusiness@hikvision.com

Hikvision USA
T +1-909-895-0400
sales.usa@hikvision.com

Hikvision Australia
T +61-2-8599-4233
salesau@hikvision.com

Hikvision India
T +91-22-28469900
sales@pramahikvision.com

Hikvision Canada
T +1-866-200-6690
sales.canada@hikvision.com

Hikvision Thailand
T +662-275-9949
sales.thailand@hikvision.com

Hikvision Europe
T +31-23-5542770
sales.eu@hikvision.com

Hikvision Italy
T +39-0438-6902
info.it@hikvision.com

Hikvision Brazil
T +55 11 3318-0050
Latam.support@hikvision.com

Hikvision Turkey
T +90 (216)521 7070- 7074
sales.tr@hikvision.com

Hikvision Malaysia
T +601-7652-2413
sales.my@hikvision.com

Hikvision UK & Ireland
T +01628-902140
sales.uk@hikvision.com

Hikvision South Africa
Tel: +27 (10) 0351172
sale.africa@hikvision.com

Hikvision France
T +33(0)1-85-330-450
info.fr@hikvision.com

Hikvision Kazakhstan
T +7-727-9730667
nikia.panfilov@hikvision.ru

Hikvision Vietnam
T +84-974270888
sales.vt@hikvision.com

Hikvision UAE
T +971-4-4432090
salesme@hikvision.com

Hikvision Singapore
T +65-6684-4718
sg@hikvision.com

Hikvision Spain
T +34-91-737-16-55
info.es@hikvision.com

Hikvision Tashkent
T +99-87-1238-9438
uzb@hikvision.ru

Hikvision Hong Kong
T +852-2151-1761
info.hk@hikvision.com

Hikvision Russia
T +7-495-669-67-99
saleru@hikvision.com

Hikvision Korea
T +82-(0)31-731-8817
sales.korea@hikvision.com

Hikvision Poland
T +48-22-460-01-50
info.pl@hikvision.com

Hikvision Indonesia
T +62-21-2933759
Sales.Indonesia@hikvision.com

Hikvision Colombia
sales.colombia@hikvision.com