



# ALPEX A50T

## Digital Night Vision Scope

HIKMICRO ALPEX A50T Digital Day & Night Vision Scope can perform in all ambient light that is present. It has an advanced 1920 × 1080 HD sensor and 1024 × 768 OLED display, which provides full-color clarity in daytime and classic black & white viewing at night. The traditional-style 50mm Tube meets the needs of professional hunters who value traditions and seek technological superiority, ensuring an extreme detection range of up to 600 meters.

### Key Features

- 1920 × 1080 High-definition sensor
- Supports Day/Night mode
- Supports audio recording
- Supports recoil-activation recording
- Supports video recording and snapshot, built-in EMMC (64 GB)
- 1024 × 768 resolution 0.39-inch OLED display
- Detection range up to 600 m
- 850 nm IR Torch

## Specification

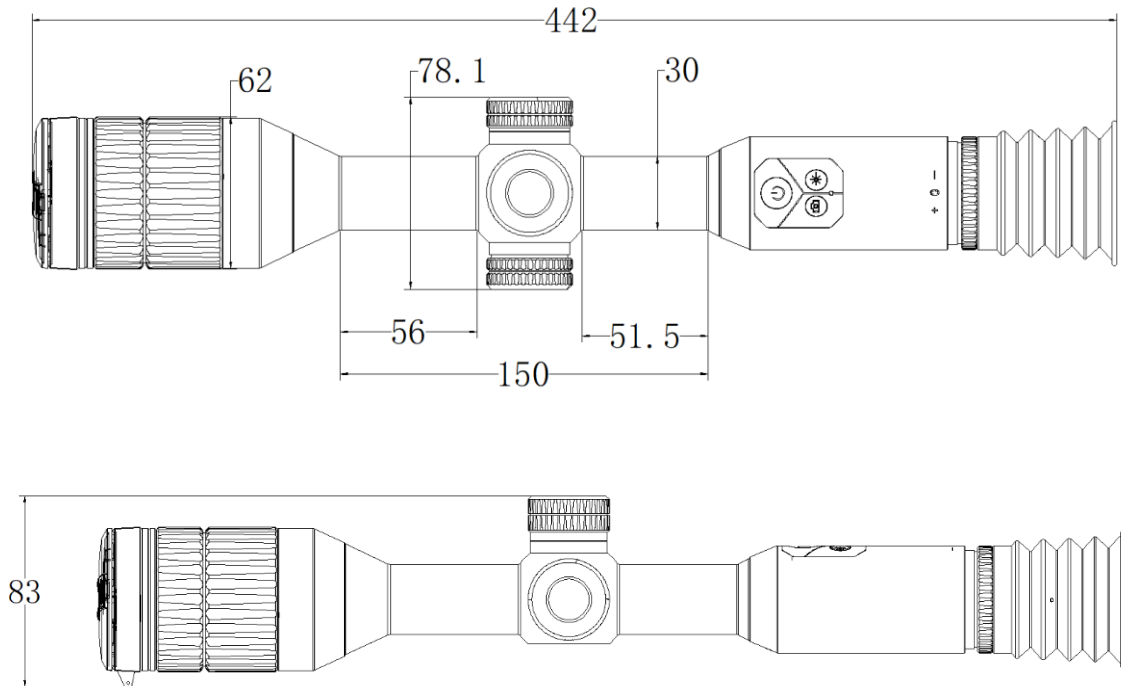
MAIN	
MAX. RESOLUTION	1920 × 1080
FRAME RATE	50 Hz
LENS (FOCAL LENGTH)	50 mm
MIN. FOCUSING DISTANCE	3 m
FIELD OF VIEW	7.7° × 5.8°
APERTURE	F1.2
MAGNIFICATION	3.5×
IMAGE DISPLAY	
DISPLAY	1024 × 768, 0.39 inch, OLED
IMAGE MODE	Day, Night
EXIT PUPIL	5 mm
EYE RELIEF	60 mm
DIOPTER (RANGE)	-5 D to 5 D
SYSTEM	
DIGITAL ZOOM	1x, 2x, 4x
CAPTURE RESOLUTION	1440 × 1080
RECORD VIDEO	On-board video recording
STANDBY MODE	Yes
PIP	Yes
CAPTURE SNAPSHOT	Yes
FREEZE ZEROING	Yes
RECOIL-ACTIVATION RECORDING	Yes
RECORD VIDEO RESOLUTION	1440 × 1080
MAX. RECOIL	1000 g
RETICLE	Yes
AUDIO RECORDING	Yes
WI-FI HOTSPOT	Yes, HIKMICRO Sight APP
STORAGE	Built-in EMMC (64 GB)
POWER SUPPLY	
BATTERY TYPE	Two rechargeable Lithium batteries (internal) and one replaceable CR123A (external)

BATTERY OPERATING TIME	12 hours continuous running (@25°C, Wi-Fi off)
BATTERY CAPACITY DISPLAY	Yes
ANTI-REVERSE BATTERY CONNECTION	Yes
OVERVOLTAGE PROTECTION	Yes
POWER SUPPLY	5 VDC/2 A, USB Type-C interface Supports QC3.0
<b>GENERAL</b>	
WORKING TEMPERATURE	-30°C to 55°C (-22°F to 131°F)
DIMENSION	442 mm × 78.1 mm × 83.5 mm
WEIGHT	1062 g without eyepiece and CR123A
PROTECTION LEVEL	IP67

## Available Model

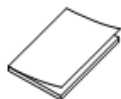
**HM-TR3D-50Q/WV-A50T**

## Dimension



Unit: mm

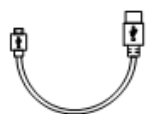
## Packing List



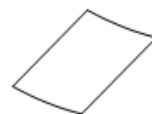
Quick Start Guide  
(x1)



Battery CR123A (x2)



Type-C Cable (x1)



Dust-free Cloth (x1)



Bag (x1)



Battery Charger



Battery HM-3632DC (x2)



IR Torch (x1)



IR Torch Bracket(x1)



 HIKMICRO Outdoor  hikmicro\_outdoor  HIKMICRO Outdoor  HIKMICRO  info@hikmicrotech.com  <http://hikmicrotech.com/en>

room 313, unit B, building 2, 399 danfeng road, xixing subdistrict, binjiang district, hangzhou, zhejiang  
@hangzhou microimage software co., Ltd .2020 | data subject to change without notice!