

## HM-TD1018-1/QR Thermal Radar Presence Detector



HIKMICRO thermal radar presence detector is designed for nursing home's bedroom. With thermal technology, it protects your privacy. The people number exception alert, offers you presence detection. It is also equipped with radar to support fall detection. The fall detection, out of room detection, out of bed detection, exit without return and people overstay detection help protect elderly and patients from accidents.

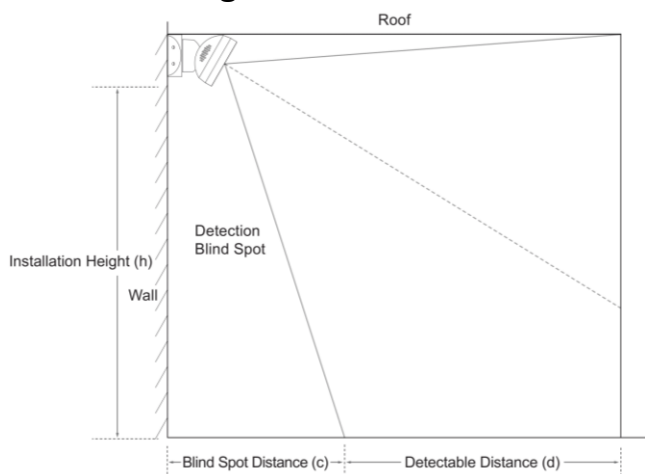
- 160× 120 resolution, 12  $\mu\text{m}$ , VOx UFPA, NETD <50 mK (25°C, F1.1).
- Built-in Radar to support Fall Detection
- Support Out of Room Detection, Out of Bed Detection, Exit without Return and People Overstay Detection.
- Audio exception alarm for alert when the elderly and patients scream
- Support built-in mic and built-in speaker
- Work environment: -20 °C~50 °C, <95% RH
- Main application: the bedroom of nursing home

## ▪ Specification

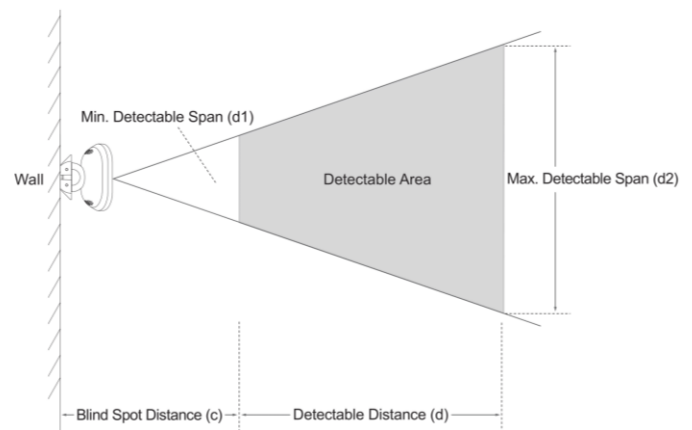
Thermal Module	
Image Sensor	Vanadium Oxide Uncooled Focal Plane Arrays
Resolution	160 × 120
Pixel Pitch	12 μm
Spectral Range	8 μm to 14 μm
NETD	<50 mK (25°C, F#=1.1)
Focal Length	1.3 mm
Field of View	90.0° (H)×65.2° (V)
Min. Focusing Distance	0.01 m
Aperture	F1.0
Video and Audio	
Main Stream	Thermal: 25 fps (1280 × 720, 704 × 576, 640 × 480, 352 × 288, 320 × 240)
Sub-stream	Thermal: 25 fps (704 × 576, 352 × 288, 320 × 240)
Video Compression	H.264/H.265/MJPEG, H.265/MJPEG encoding support Main Profile, H.264 support Baseline/Main/High Profile
Network	
Protocols	IPv4,HTTP,HTTPS,Qos,FTP,SNMP,DDNS,TCP,PPPoE,RTSP,UPnP
Network Storage	MicroSD/SDHC/SDXC card (up to 256 G) local storage
API	ISAPI, HIKVISION SDK, and third-party management platform, Open Network Video Interface (Profile S, Profile G)
Simultaneous Live View	Up to 20 channels
User/Host level	Up to 32 users, 3 levels: Administrator, Operator, User
Security	User authentication (ID and Password), MAC address binding, HTTPS encryption, IEEE 802.1x(EAP-MD5, EAP-TLS), access control, IP address filtering
Client	iVMS-4200/EZVIZ/HIK-CONNCT/HIK-CENTRAL
Web Browser	Internet Explorer 11+, Chrome 18.0 +, Firefox 5.0 +, Safari5.02+
Interface	
Alarm Output	1, alarm output (alarm response actions configurable)
Alarm Action	SD recording/Relay output/Smart capture/FTP upload
Audio Input	Built-In Mic
Audio Output	Built-In Speaker
Communication Interface	1, RS-485 interface (half duplex)
Reset Key	1 reset button built in the motherboard
Radar	
Working Frequency Range	60GHz ~64GHz
Modulation Waveform	FMCW
Capture Distance	0.3 m-4m
General	
Web Client Language	32 languages English, Russian, Estonian, Bulgarian, Hungarian, Greek, German, Italian, Czech, Slovak, French, Polish, Dutch, Portuguese, Spanish, Romanian, Danish, Swedish, Norwegian, Finnish, Croatian, Slovenian, Serbian, Turkish, Korean, Traditional Chinese, Thai, Vietnamese, Japanese, Latvian, Lithuanian, Portuguese (Brazil)

Power Supply	DC 12 V ( $\pm 20\%$ ) : 0.5 A, max. 5W PoE (802.3af) : 36 V to 57 V, 0.17 A to 0.11 A, max. 6W
Working Temperature/Humidity	Temperature: $-20^{\circ}\text{C}$ to $50^{\circ}\text{C}$ ( $-4^{\circ}\text{F}$ to $122^{\circ}\text{F}$ ) Humidity: 95% or less
Protection Level	IP40
Dimensions	130mm*102mm*75mm
Weight	0.38kg (0.84 lb)
Mount	Corner Mount
<b>Certificate</b>	
EMC	EN55032

## ▪ Lens Diagram



Corner Mount Side view



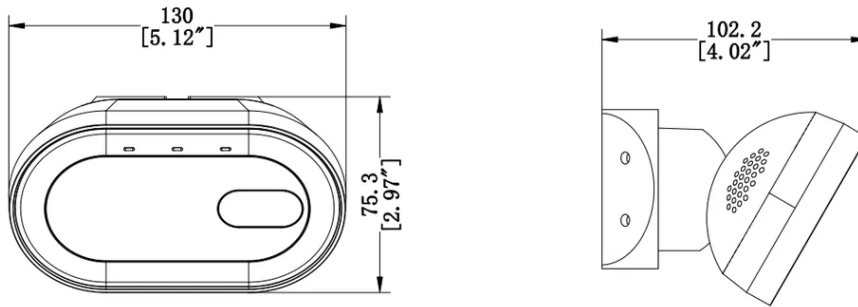
Corner Mount Top view

	Installation Height (h)	Blind Spot Distance (c)	Detectable Distance (d)	Min. Detectable Span (d1)	Max. Detectable Span (d2)
Fall Detection	2.7m	0.5m	3.5m	0.7m	3m
Out of Room Detection	2.7m	0.5m	4.5m	0.5m	5m
Out of Bed Detection					
Exit without Return					
People Overstay Detection					

## ▪ Available Model

HM-TD1018-1/QR

## ▪ Dimension



Unit:mm [Inch]

COMPLIANCE NOTICE: The thermal series products might be subject to export controls in various countries or regions, including without limitation, the United States, European Union, United Kingdom and/or other member countries of the Wassenaar Arrangement. Please consult your professional legal or compliance expert or local government authorities for any necessary export license requirements if you intend to transfer, export, re-export the thermal series products between different countries.