

## DS-2XE6222F-IS/316L(B)

### 2 MP Explosion-Proof Network Bullet Camera



- Explosion-proof design: the camera has passed international ATEX & IECEx certifications, and can be used in gas and dust hazardous scenarios
- 316L stainless steel enclosure and anti-corrosion spray treatment, protecting the camera from damage caused by sparks or corrosive materials
- IP68/IK08 water resistant and vandal proof, preventing water ingress for outdoor use
- H.265+/H.265/H.264+/H.264 encoding: efficient compression technology saves storage space and reduces bandwidth requirements
- 100 VAC to 240 VAC wide range power supply: easy to deploy cables and safer compared to a power adapter solution



## ▪ Specification

Lens	
FOV	4 mm, horizontal field of view: 80° 6 mm, horizontal field of view: 50° 8 mm, horizontal field of view: 39° 12 mm, horizontal field of view: 20°
Camera	
Image Sensor	1/2.8" Progressive Scan CMOS
Min. Illumination	Color: 0.018 lux @ (F1.2, AGC ON); B/W: 0.006 lux @ (F1.2, AGC ON), 0 Lux with IR on
Shutter Speed	1 s to 1/100,000 s
Lens	4 mm, 6 mm, 8 mm, 12 mm
Lens Mount	M12
Day & Night	IR cut filter
DNR	3D DNR
WDR	120 dB
Network	
Alarm Trigger	Motion detection, video tampering alarm, exception (network disconnected, IP address conflict, illegal login, HDD full, HDD error)
Network Storage	Support microSD/SDHC/SDXC card (up to 128 GB) local storage and NAS (NFS, SMB/CIFS), ANR
Protocols	TCP/IP, ICMP, HTTP, HTTPS, FTP, DHCP, DNS, DDNS, RTP, RTSP, RTCP
Standard	ONVIF (PROFILE S, PROFILE G), PSIA, CGI, ISAPI
General Function	Mirror, anti-flicker, heartbeat, watermark, password protection, privacy mask
Intelligent (Traditional Algorithm)	
Face Detection	Human face appears in the image can be detected and trigger linkage method
Interface	
Communication Interface	1 RJ45 10M/100M self-adaptive Ethernet port
Alarm	2 alarm inputs, 2 alarm outputs
On-board Storage	Built-in microSD/SDHC/SDXC slot, up to 128 GB <i>*You are recommended to purchase memory card together with the product if needed. After ordering, the memory card will be installed to product during manufacturing.</i>
Image	
Image Enhancement	BLC/3D DNR
Target Cropping	Support
Day/Night Switch	Auto/Schedule/Triggered by Alarm In
Picture Overlay	LOGO picture can be overlaid on video with 128 × 128 24bit bmp format
Image Settings	Support rotate mode, saturation, brightness, contrast, etc., adjustable by client software or web browser
ROI (Region of Interest)	Support 4 customized regions for each stream, and face dynamic tracking
Max. Resolution	1920 × 1080
Main Stream	50Hz: 25fps (1920 × 1080, 1280 × 960, 1280 × 720) 60Hz: 30fps (1920 × 1080, 1280 × 960, 1280 × 720)

Sub-Stream	50Hz: 25fps (704 × 576, 640 × 480, 352 × 288, 320 × 240) 60Hz: 30fps (704 × 480, 640 × 480, 352 × 240, 320 × 240)
Third Stream	50Hz: 25fps (1920 × 1080, 1280 × 960, 1280 × 720, 704 × 576, 640 × 480, 352 × 288, 320 × 240) 60Hz: 30fps (1920 × 1080, 1280 × 960, 1280 × 720, 704 × 480, 640 × 480, 352 × 240, 320 × 240)
<b>General</b>	
Power Consumption and Current	Max. 7 W
Power Supply	100 VAC to 240 VAC, 0.1 A, terminal block PoE (802.3af, class 3), 0.2 A
Material	Stainless steel 316L
Operating Conditions	-30°C to +60 °C (-22 °F to +140 °F), Humidity 95% or less (non-condensing)
Protection Level	Ingress protection: IK08 (IEC 62262:2002), IP68 (IEC 60529-2013)
Explosion-proof Certificate	ATEX: II 2G Ex db IIC T6 Gb/ II 2D Ex tb IIIC T80°C Db IP68 IECEX: Ex db IIC T6 Gb /Ex tb IIIC T80°C Db IP68 For explosive gas atmospheres, the maximum surface temperature is 85°C; For flammable dust atmospheres, the maximum surface temperature is 80°C; IIC: for explosive gas atmospheres other than mines susceptible to firedamp; For explosive gas mixture atmospheres: Zone 1, Zone 2, Zone 21, Zone 22.
IR Range	30 m
Dimensions (W × D × H)	Camera: 202 × 174 × 172 mm (7.95" × 6.85" × 6.77") With Package: 435 × 255 × 285 mm (17.1" × 10" × 11.2")
Weight (without hard disk)	Camera: 5.99 kg (13.21 lb.) With package: 7.07 kg (15.59 lb.)
<b>Compression Standard</b>	
H.264+	Support
H.265+	Support
H.264 Type	Baseline profile/main profile/high profile
Video Compression	Main stream: H.265/H.264 Sub stream: H.265/H.264/MJPEG Third stream: H.265/H.264/MJPEG
H.265 Type	Main profile
Video Bitrate	32 Kbps to 16 Mbps
Audio Compression	G.711/G.722.1/G.726/MP2L2/PCM
Audio Bitrate	64Kbps(G.711)/16Kbps(G.722.1)/16Kbps(G.726)/32-128Kbps(MP2L2)
<b>Smart Feature-set</b>	
Exception Detection	Scene change detection, defocus detection
Behavior Analysis	Line crossing detection, intrusion detection, region entrance detection, region exiting detection, unattended baggage detection, object removal detection
<b>Approval</b>	

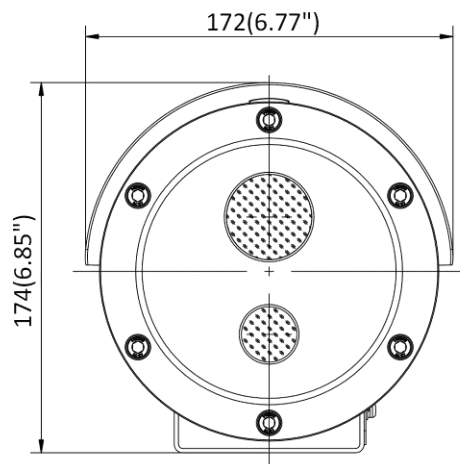
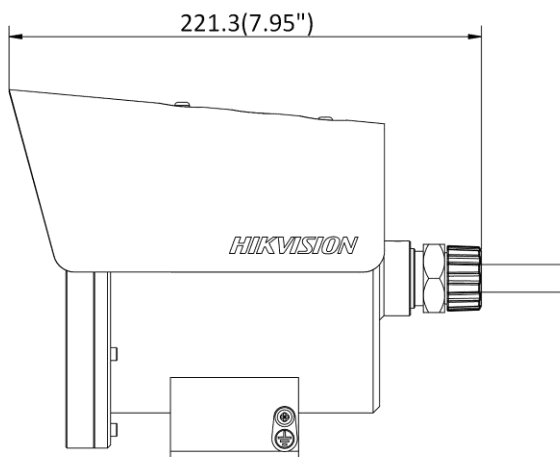
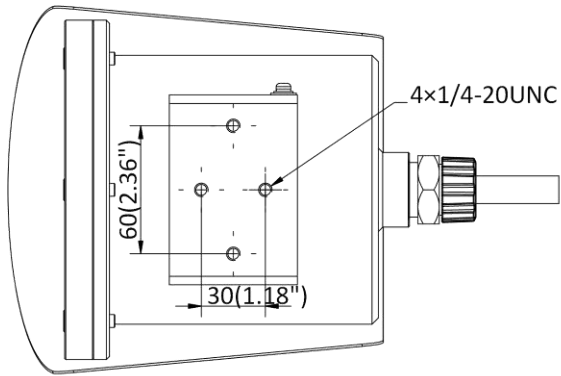
EMC	<p>FCC: FCC-SDoC(ANSI C63.4,FCC Part15 sub B)</p> <p>CE: CE-EMC(EN 50130-4:2011+A1:2014,EN 55032:2015,EN 61000-3-2:2014,EN 61000-3-3:2013)</p> <p>IC: IC-VoC(ICES-003 Issue 7:2020)</p> <p>KC: KN 301489-1,KN 301489-17,RRA NOTICE 2017-14(2017.12.05),RRA NOTICE 2017-19(2017.12.28)</p>
Safety	<p>UL: UL 60950-1:2014,CAN/CSA C22.2 No. 60950-1-07:2014</p> <p>CB: IEC 60950-1</p> <p>CE: CE-LVD(EN 60950-1:2006+A11:2009+A1:2010+A12:2011+A2:2013)</p>
Explosion-Proof Protection	<p>ATEX: II 2G Ex db IIC T6 Gb/ II 2D Ex tb IIIC T80°C Db IP68</p> <p>IECEX: Ex db IIC T6 Gb /Ex tb IIIC T80°C Db IP68</p> <p>For explosive gas atmospheres, the maximum surface temperature is 85°C;</p> <p>For flammable dust atmospheres, the maximum surface temperature is 80°C;</p> <p>IIC: for explosive gas atmospheres other than mines susceptible to firedamp;</p> <p>For explosive gas mixture atmospheres: Zone 1, Zone 2, Zone 21, Zone 22.</p>

*\*You are recommended to purchase memory card together with the product if needed. After ordering, the memory card will be installed to product during manufacturing.*

#### ▪ Available Model

DS-2XE6222F-IS/316L (B)




#### ▪ Dimension



Unit: mm (inch)

▪ **Accessory**

▪ **Optional**

DS-2780ZJ-X/316 L(OS) Junction box	DS-1704ZJ-Y-AC( OS) Wall mount	DS-1706ZJ-Y-AC( OS) Wall mount
		

Distributed by

**HIKVISION®****Headquarters**

No.555 Qianmo Road, Binjiang District,  
Hangzhou 310051, China  
T +86-571-8807-5998  
overseasbusiness@hikvision.com

**Hikvision USA**  
T +1-909-895-0400  
sales.usa@hikvision.com

**Hikvision Australia**  
T +61-2-8599-4233  
salesau@hikvision.com

**Hikvision India**  
T +91-22-28469900  
sales@pramahikvision.com

**Hikvision Canada**  
T +1-866-200-6690  
sales.canada@hikvision.com

**Hikvision Thailand**  
T +662-275-9949  
sales.thailand@hikvision.com

**Hikvision Europe**  
T +31-23-5542770  
sales.eu@hikvision.com

**Hikvision Italy**  
T +39-0438-6902  
info.it@hikvision.com

**Hikvision Brazil**  
T +55 11 3318-0050  
Latam.support@hikvision.com

**Hikvision Turkey**  
T +90 (216)521 7070- 7074  
sales.tr@hikvision.com

**Hikvision Malaysia**  
T +601-7652-2413  
sales.my@hikvision.com

**Hikvision UK & Ireland**  
T +01628-902140  
sales.uk@hikvision.com

**Hikvision South Africa**  
Tel: +27 (10) 0351172  
sale.africa@hikvision.com

**Hikvision France**  
T +33(0)1-85-330-450  
info.fr@hikvision.com

**Hikvision Kazakhstan**  
T +7-727-9730667  
nikia.panfilov@hikvision.ru

**Hikvision Vietnam**  
T +84-974270888  
sales.vt@hikvision.com

**Hikvision UAE**  
T +971-4-4432090  
salesme@hikvision.com

**Hikvision Singapore**  
T +65-6684-4718  
sg@hikvision.com

**Hikvision Spain**  
T +34-91-737-16-55  
info.es@hikvision.com

**Hikvision Tashkent**  
T +99-87-1238-9438  
uzb@hikvision.ru

**Hikvision Hong Kong**  
T +852-2151-1761  
info.hk@hikvision.com

**Hikvision Russia**  
T +7-495-669-67-99  
saleru@hikvision.com

**Hikvision Korea**  
T +82-(0)31-731-8817  
sales.korea@hikvision.com

**Hikvision Poland**  
T +48-22-460-01-50  
info.pl@hikvision.com

**Hikvision Indonesia**  
T +62-21-2933759  
Sales.Indonesia@hikvision.com

**Hikvision Colombia**  
sales.colombia@hikvision.com